

**Elastic Tape Attaching Device with a Right Hand
Fabric Undertrimmer for MF-7900 Series**

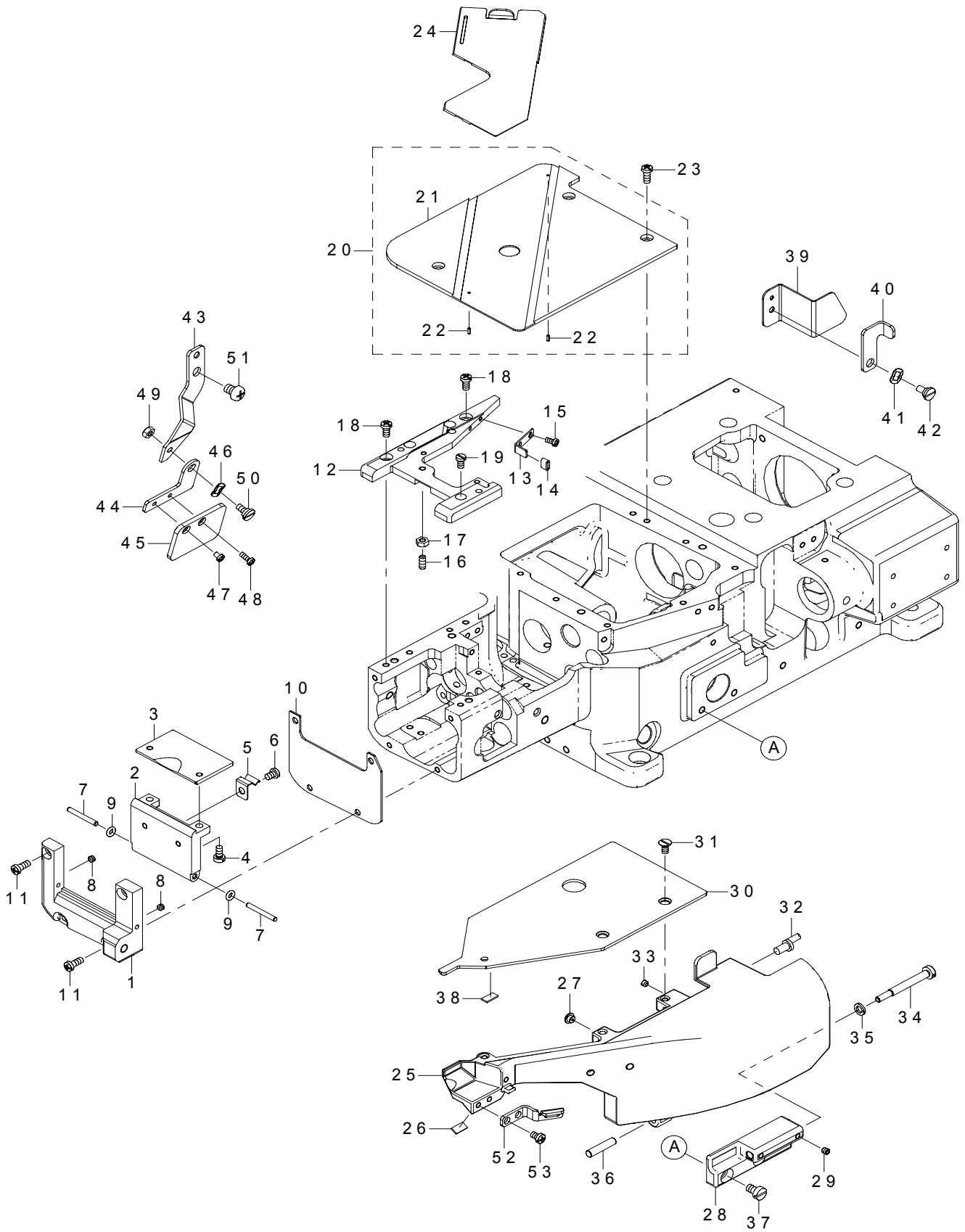
MF-7900-E11

PARTS LIST

ALL PARTS NOT MENTIONED IN THIS PARTS LIST ARE SAME AS THOSE OF
MODEL MF-7900. OTHER PARTS LIST RELATED TO THIS MODEL.

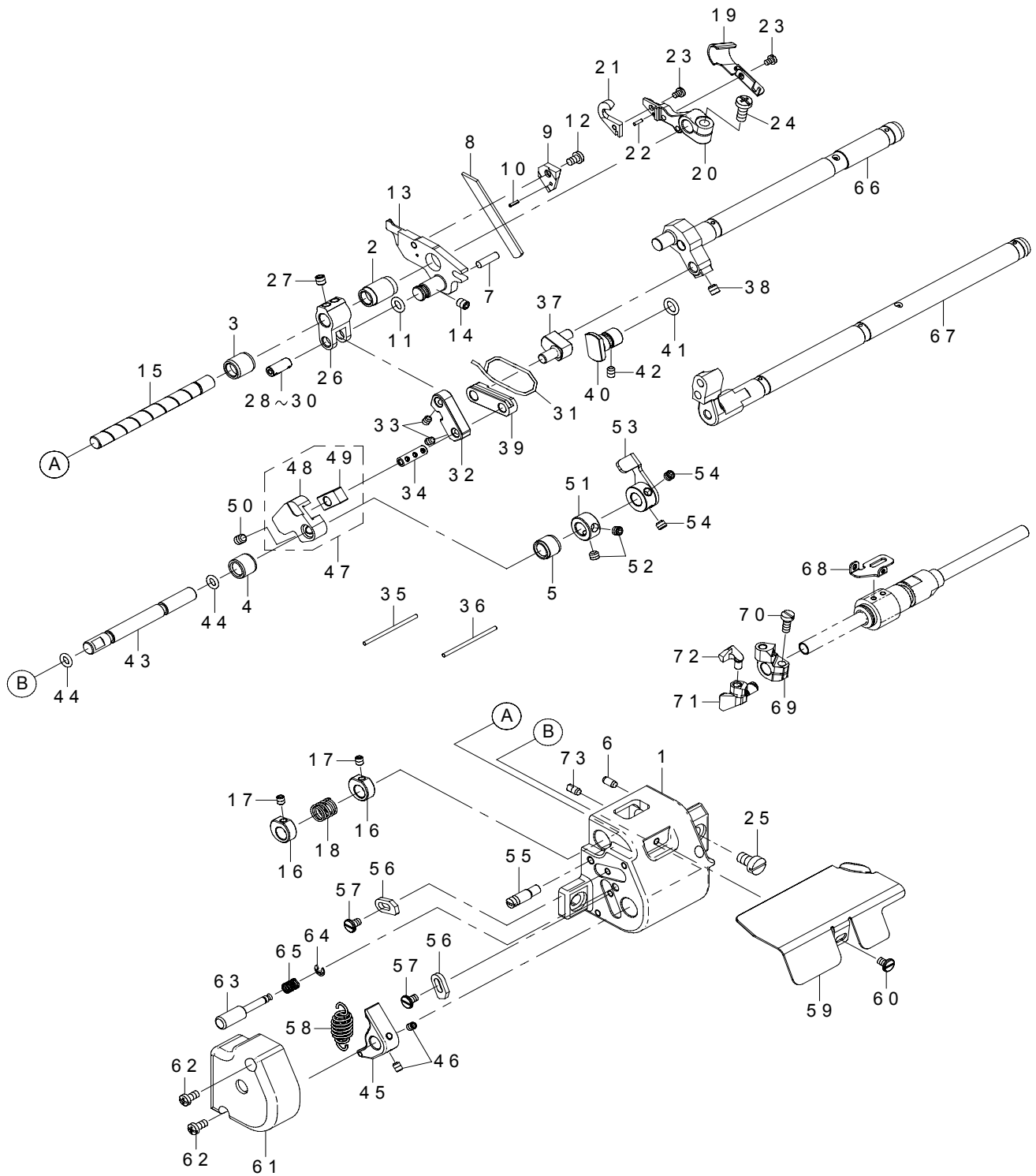
*MF-7900 SERIES(NO.1599 PART NO.70002009)

1. MISCELLANEOUS COVER COMPONENTS



REF.NO	NOTE	PART NO	DESCRIPTION	Qty
1		700-03353	CYLINDER_COVER	1
2		700-01655	SIDE_COVER_BOTTOM	1
3		700-01653	SIDE_COVER_UPPER	1
4		SM-6040800-SP	SCREW	2
5		134-01906	LATCH_SPRING_2	1
6		SM-4040655-SP	SCREW M4 L=6	1
7		PH-0300252-C0	PARALLEL PIN TYPE B 3X25	2
8		SM-8040360-TP	SCREW	2
9		RO-0371801-00	O-RING	2
10		700-01661	GASKET	1
11		SM-4041055-SP	SCREW	4
12		700-03352	THROAT_PLATE_SUPPORT_E11	1
13		134-03407	SLIDE_COVER_SUPPORT	1
14		236-30007	TUBE	0.01
15		SM-4030655-SP	SCREW	2
16		SM-8041012-TP	SCREW M4 L=10	1
17		NM-6040001-SC	NUT M4X0.7 TYPE1	1
18		SM-4040855-SP	SCREW	2
19		SM-6040750-TP	SCREW M4 L=7	1
20		700-03355	CLOTH_PLATE_ASSY	1
21		700-03357	CLOTH_PLATE_REAR	(1)
22		PS-0150042-K0	SPRING PIN 1.5X4	(2)
23		SM-4041055-SP	SCREW	3
24		400-16782	SLIDE_COVER	1
25		700-03358	SWING_DOWN_COVER_E11	1
26		134-03605	RUBBER_PLATE	1
27		133-02302	RUBBER BUMPER	1
28		700-01648	HINGE	1
29		SM-8040412-TP	SCREW M4X4	2
30		700-03360	CLOTH_PLATE_FRONT_E11	1
31		SM-1040800-SP	SCREW	2
32		134-02706	PIN_FOR_COVER	1
33		SM-8040360-TP	SCREW	1
34		700-01414	SCREW	1
35		WS-0510002-KP	SPRING WASHER 5.1X9.2X1.3	1
36		134-09800	DIFF_LINK_PIN	1
37		SM-6050800-SP	SCREW M5 L=8	2
38		134-03605	RUBBER_PLATE	1
39		700-01677	THREAD_COVER	1
40		700-04056	SWING_DOWN_COVER_STOPPER	1
41		WZ-0641510-KP	WAVED WASHER 6.4X11X0.3	1
42		SD-0640246-SP	SHOULDER SCREW D=6.35 H=2.4	1
43		700-03351	BRACKET HOLDER	1
44		400-33341	BRACKET	1
45		400-26641	PROTECTION_SHIELD	1
46		WZ-0641510-KP	WAVED WASHER 6.4X11X0.3	1
47		SM-4030455-SN	SCREW	1
48		SM-4030855-SN	SCREW M3 L=8.0	1
49		NM-6040000-SN	NUT M4 TYPE1	1
50		SD-0640246-SP	SHOULDER SCREW D=6.35 H=2.4	1
51		SM-4060801-SE	SCREW	1
52		700-03399	CLOTH_DUST_PIPE_STOPPER	1
53		SM-4040655-SP	SCREW M4 L=6	2

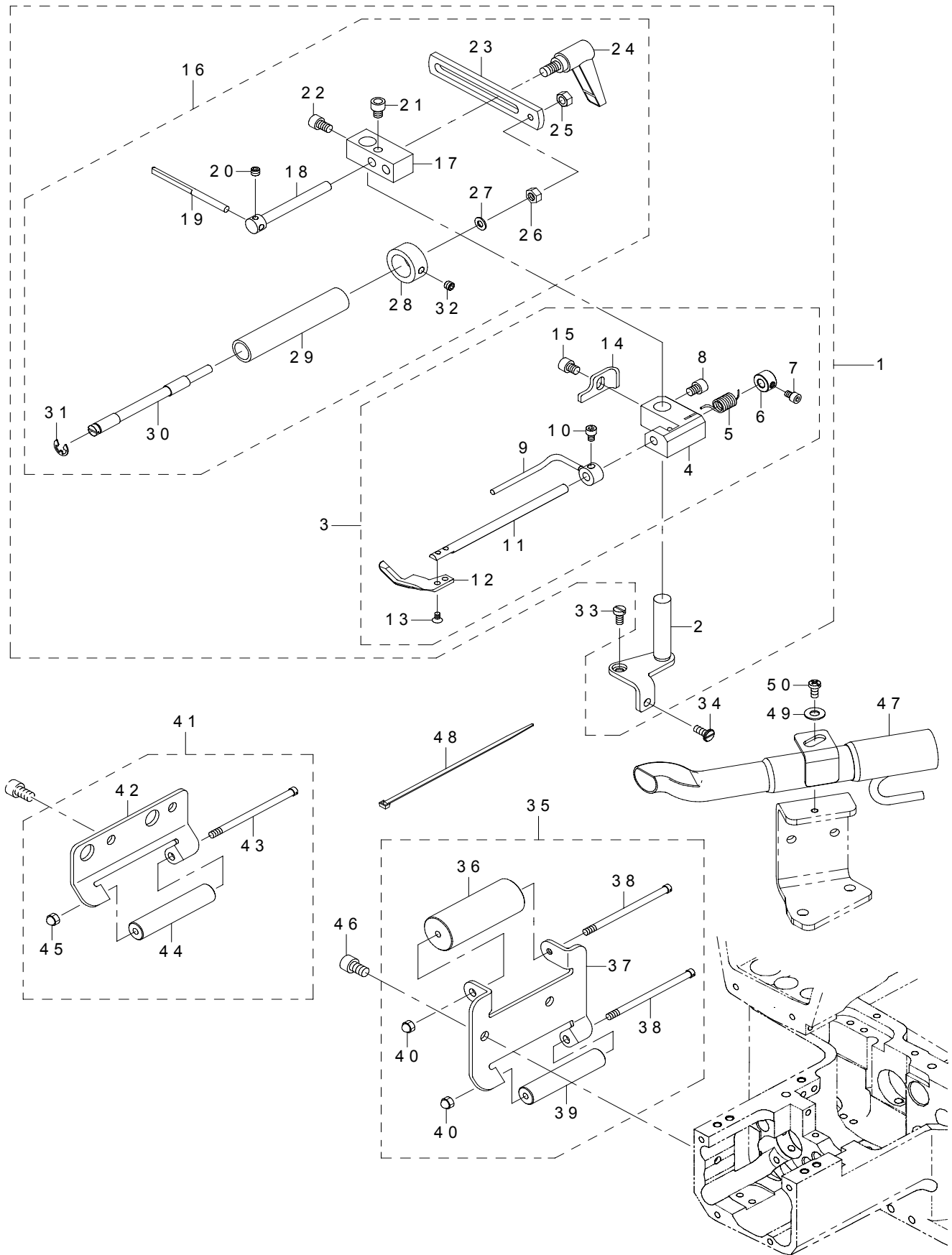
2. FABRIC TRIMMER RIGHT COMPONENTS



REF.NO	NOTE	PART NO	DESCRIPTION	Qty
1		700-03364	TRIMMER_BASE	1
2		700-01854	BUSHING_LEFT	1
3		700-03366	BUSHING_TRIMMER_SHAFT	1
4		700-03367	BUSHING_TRIMMER_SHAFT_LEFT	1
5		700-03368	BUSHING_SLIDER_SHAFT_RIGHT	1
6		133-02500	DOWEL PIN 2	2
7		118-46805	HOLDER PIN	1
8		400-38091	LOWER_KNIFE	1
9		400-38511	LOWER_KNIFE_PRESSER_PLATE	1
10		PS-0150065-KP	SPRING PIN 1.5X6	1
11		RO-0552001-00	O-RING	1
12		SM-4040655-SP	SCREW M4 L=6	1
13		700-03369	FIXED_KNIFE_BASE	1
14		SM-8050612-TP	SCREW M5X6	1
15		700-03370	FABRIC_TRIMMER_SHAFT	1
16		700-03371	THRUST_COLLAR	2
17		SM-8040512-TP	SCREW	2
18		400-10553	KNIFE_SPRING	1
19		400-38089	CHIP_GUARD	1
20		400-40137	MOVING_KNIFE_BASE	1
21		700-03483	MOVING_KNIFE	1
22		PH-0150065-C0	PARALLÉL PIN TYPE A 1.5X6	1
23		SM-4030455-SP	SCREW	3
24		SM-4051255-SP	SCREW	1
25		SM-6061010-TP	SCREW M6 L=10	2
26		700-03372	TRIMMER_SHAFT_ARM	1
27		SM-8050512-TP	SCREW	2
28	#01	134-12002	MAIN_FEED_LINK_PIN_A	1
29	#01	134-12101	MAIN_FEED_LINK_PIN_B	1
30	#01	134-12200	MAIN_FEED_LINK_PIN_C	1
31		CQ-2020000-00	OIL WICK	0.19
32		700-03373	LINK	1
33		SM-8040512-TP	SCREW	2
34		131-31602	UPPER LOOPER HOLDER PIN E	1
35		CQ-2020000-00	COTTON OIL WICK D=2	0.04
36		CQ-2000000-00	COTTON OIL WICK D=2	0.04
37		700-03374	ADJUST_PIN	1
38		SM-8050512-TP	SCREW	1
39		700-03375	LINK_SHORT	1
40		700-03376	LINK_GUIDE	1
41		RO-0681901-00	O-RING	1
42		SM-8040612-TP	SCREW M4 L=6	1
43		700-03377	SLIDER_SHAFT	1
44		RO-0481901-00	O-RING	2
45		700-03378	SPRING_LEVER	1
46		SM-8040512-TP	SCREW	2
47		700-03394	SLIDER_GUIDE_ASSY	1
48		700-03379	SLIDER_GUIDE	1
49		700-03389	SLIDER_BLOCK	1
50		SM-8050612-TP	SCREW M5X6	1
51		CS-0800881-TP	THRUST COLLAR D=8 W=8	1
52		SM-8050412-TP	SCREW M5 L=4	2
53		700-03380	HAND_LEVER	1
54		SM-8050412-TP	SCREW M5 L=4	2
55		400-40963	TENSION_SPRING_RACK_B	1
56		700-03383	STOPPER	2
57		SM-6040650-TP	SCREW	2
58		144-20004	SPRING	1
59		700-03384	GUIDE_CIRCLE	1
60		SM-6040650-TP	SCREW	1
61		700-03385	SIDE_COVER	1
62		SM-4040855-SP	SCREW	2
63		700-03390	PIN	1
64		RE-0300000-K0	E-RING 3	1
65		131-23302	ADJUSTING SPRING	1
66		400-38099	FEED_LIFT_SHAFT	1
67		700-03346	DIFF_FEED_SHAFT	1
68		700-03363	THREAD_GUIDE	1
69		700-03427	LOOPER HOLDER	1
70		SM-6041000-SP	SCREW	1
71		700-03425	HOLDER_FRONT_NEEDLE_GUARD	1
72		700-03426	FRONT_NEEDLE_GUARD	1
73		133-01908	DOWEL PIN	1
		NOTE	#01....SELECTIVE PARTS	

REF.NO	NOTE	PART NO	DESCRIPTION	Qty
1		700-03364	TRIMMER_BASE	1
2		700-01854	BUSHING_LEFT	1
3		700-03366	BUSHING_TRIMMER_SHAFT	1
4		700-03367	BUSHING_TRIMMER_SHAFT_LEFT	1
5		700-03368	BUSHING_SLIDER_SHAFT_RIGHT	1
6		133-02500	DOWEL PIN 2	2
7		118-46805	HOLDER PIN	1
8		400-38091	LOWER_KNIFE	1
9		400-38511	LOWER_KNIFE_PRESSER_PLATE	1
10		PS-0150065-KP	SPRING PIN 1.5X6	1
11		RO-0552001-00	O-RING	1
12		SM-4040655-SP	SCREW M4 L=6	1
13		700-03369	FIXED_KNIFE_BASE	1
14		SM-8050612-TP	SCREW M5X6	1
15		700-03370	FABRIC_TRIMMER_SHAFT	1
16		700-03371	THRUST_COLLAR	2
17		SM-8040512-TP	SCREW	2
18		400-10553	KNIFE_SPRING	1
19		400-38089	CHIP_GUARD	1
20		400-40137	MOVING_KNIFE_BASE	1
21		700-03483	MOVING_KNIFE	1
22		PH-0150065-C0	PARALLÉL PIN TYPE A 1.5X6	1
23		SM-4030455-SP	SCREW	3
24		SM-4051255-SP	SCREW	1
25		SM-6061010-TP	SCREW M6 L=10	2
26		700-03372	TRIMMER_SHAFT_ARM	1
27		SM-8050512-TP	SCREW	2
28	#01	134-12002	MAIN_FEED_LINK_PIN_A	1
29	#01	134-12101	MAIN_FEED_LINK_PIN_B	1
30	#01	134-12200	MAIN_FEED_LINK_PIN_C	1
31		CQ-2000000-00	COTTON OIL WICK D=2	0.07
32		700-03373	LINK	1
33		SM-8040512-TP	SCREW	2
34		131-31602	UPPER LOOPER HOLDER PIN E	1
35		CQ-2020000-00	COTTON OIL WICK D=2	0.04
36		CQ-2000000-00	COTTON OIL WICK D=2	0.04
37		700-03374	ADJUST_PIN	1
38		SM-8050512-TP	SCREW	1
39		700-03375	LINK_SHORT	1
40		700-03376	LINK_GUIDE	1
41		RO-0681901-00	O-RING	1
42		SM-8040612-TP	SCREW M4 L=6	1
43		700-03377	SLIDER_SHAFT	1
44		RO-0481901-00	O-RING	2
45		700-03378	SPRING_LEVER	1
46		SM-8040512-TP	SCREW	2
47		700-03394	SLIDER_GUIDE_ASSY	1
48		700-03379	SLIDER_GUIDE	1
49		700-03389	SLIDER_BLOCK	1
50		SM-8050612-TP	SCREW M5X6	1
51		CS-0800881-TP	THRUST COLLAR D=8 W=8	1
52		SM-8050412-TP	SCREW M5 L=4	2
53		700-03380	HAND_LEVER	1
54		SM-8050412-TP	SCREW M5 L=4	2
55		400-40963	TENSION_SPRING_RACK_B	1
56		700-03383	STOPPER	2
57		SM-6040650-TP	SCREW	2
58		144-20004	SPRING	1
59		700-03384	GUIDE_CIRCLE	1
60		SM-6040650-TP	SCREW	1
61		700-03385	SIDE_COVER	1
62		SM-4040855-SP	SCREW	2
63		700-03390	PIN	1
64		RE-0300000-K0	E-RING 3	1
65		131-23302	ADJUSTING SPRING	1
66		400-38099	FEED_LIFT_SHAFT	1
67		700-03346	DIFF_FEED_SHAFT	1
68		700-03362	THREAD_GUIDE	1
69		700-03427	LOOPER HOLDER	1
70		SM-6041000-SP	SCREW	1
71		700-03425	HOLDER_FRONT_NEEDLE_GUARD	1
72		700-03426	FRONT_NEEDLE_GUARD	1
73		133-01908	DOWEL PIN	1
		NOTE	#01....SELECTIVE PARTS	

3. TAPE GUIDE COMPONENTS



REF.NO	NOTE	PART NO	DESCRIPTION	Qty
1		400-24947	ELASTIC_ATTACHING_DEVICE_ASSY	1
2		400-20050	STUD_ASSEMBLY	(1)
3		400-20053	HOLD_DOWN_PLATE_ASSY	(1)
4		400-20055	BRACKET	(1)
5		400-20060	SPRING	(1)
6		CS-0550781-CB	THRUST COLLAR D=5.5 W=7	(1)
7		SM-6040502-TP	SCREW M4X0.7 L=5	(1)
8		SM-6050652-TP	HEXAGON SOCKET HEAD SCREW M5X6	(1)
9		400-20057	LEVER_ASSEMBLY	(1)
10		SM-6040502-TP	SCREW M4X0.7 L=5	(1)
11		400-20062	SHAFT	(1)
12		400-20054	HOLD_DOWN_PLATE	(1)
13		SM-1030501-SN	SCREW M3 L=5	(2)
14		400-20056	STOPPER	(1)
15		SM-6050652-TP	HEXAGON SOCKET HEAD SCREW M5X6	(1)
16		400-20063	ELASTIC_ATTACHING_DEVICE	(1)
17		400-20064	SUPPORT	(1)
18		400-20066	HOLDER	(1)
19		400-20067	ELASTIC_GUIDE	(1)
20		SM-8040302-TP	SETSCREW	(1)
21		SM-6050652-TP	HEXAGON SOCKET HEAD SCREW M5X6	(1)
22		SM-6050802-TP	SCREW M5X0.8 L=8	(1)
23		400-20065	BRACKET	(1)
24		400-20071	CLAMP_LEVER M6 L=12	(1)
25		NM-6050002-SE	NUT M5	(1)
26		NM-6050002-SE	NUT M5	(1)
27		WP-0550836-SC	WASHER 5.5X12X0.8	(1)
28		400-20070	COLLAR	(1)
29		400-20069	ROLLER	(1)
30		400-20068	SHAFT	(1)
31		RE-0500000-K0	E-RING	(1)
32		SM-8040412-TP	SET SCREW M4 L=4	(1)
33		SM-6040800-SP	SCREW	1
34		SM-6040650-TP	SCREW	1
35	#01	400-26582	REAR_ROLLER_ASSY_2	1
36		400-21836	REAR_ROLLER_LARGE	(1)
37		400-21835	BRACKET_REAR_ROLLER_2	(1)
38		400-21838	SHAFT_REAR_ROLLER	(2)
39		400-21837	REAR_ROLLER_SMALL	(1)
40		NM-7040032-SC	HEXAGONAL CAP NUT, TYPE 3 M4	(2)
41	#02	400-26581	REAR_ROLLER_ASSY_1	1
42		400-21834	BRACKET_REAR_ROLLER_1	(1)
43		400-21838	SHAFT_REAR_ROLLER	(1)
44		400-21837	REAR_ROLLER_SMALL	(1)
45		NM-7040032-SC	HEXAGONAL CAP NUT, TYPE 3 M4	(1)
46		SM-6060802-TP	SCREW M6 L=8	2
47		700-03395	ASSY_CLOTH_DUST_PIPE	1
48		EA-9500B02-00	CABLE BAND 150	1
49		WP-0550836-SC	WASHER 5.5X12X0.8	1
50		SM-4040855-SP	SCREW	1

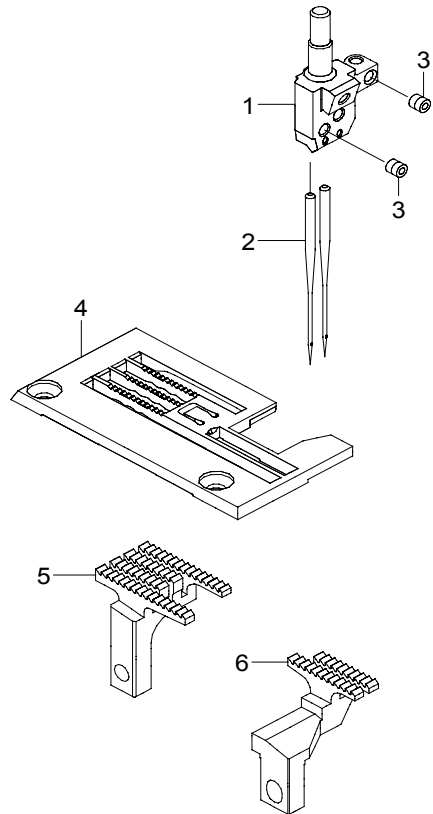
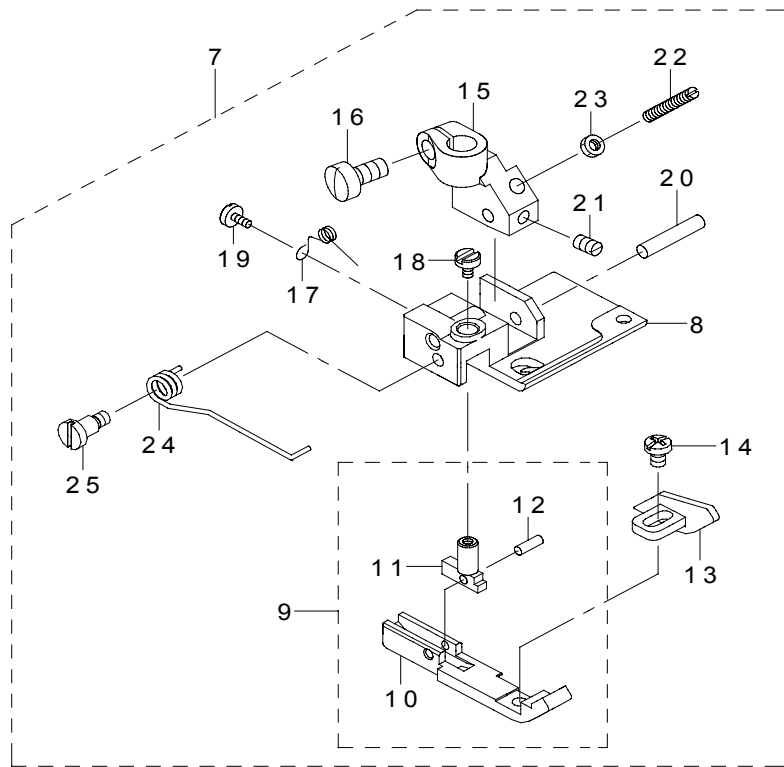
NOTE

#01...WITHOUT PULLER MODELS
(ACCESSORIES PARTS)

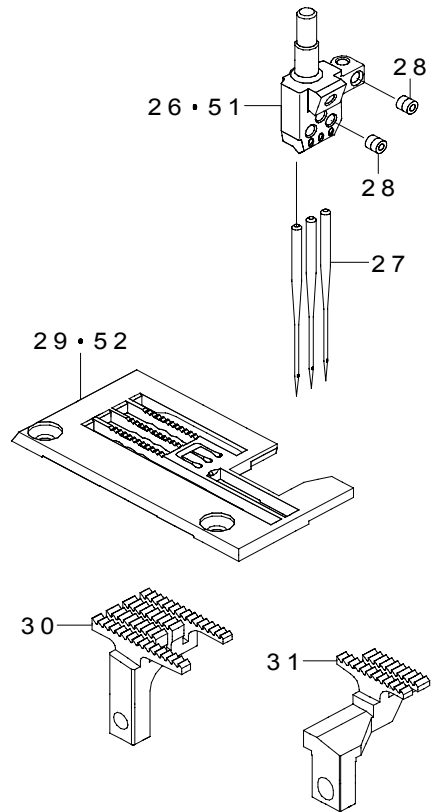
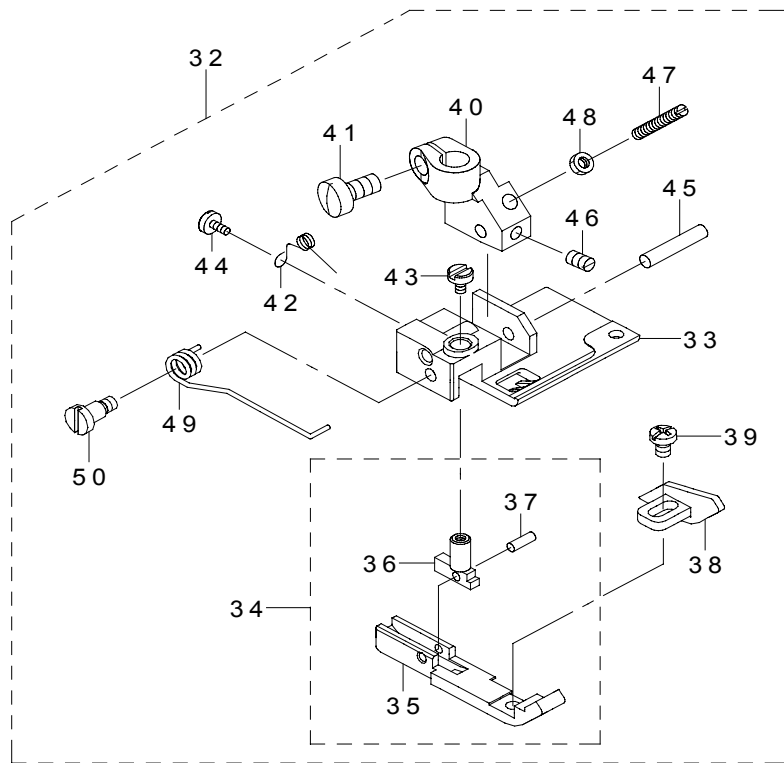
#02...WITH PULLER MODELS
(ACCESSORIES PARTS)

4. GAUGE PARTS COMPONENTS

MF-7922-E11-B40

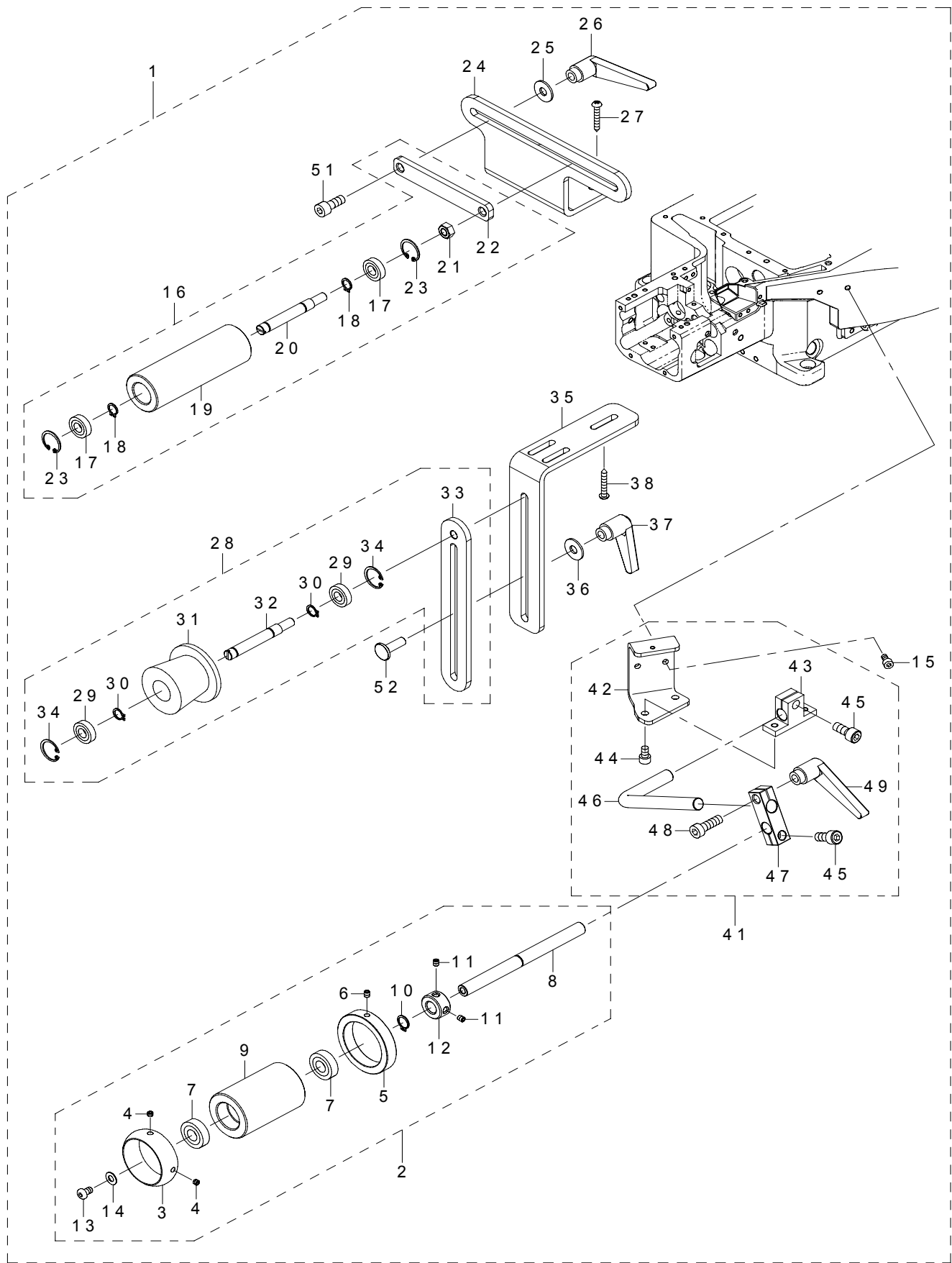


MF-7923-E11-B56
MF-7923-E11-B64



REF.NO	NOTE	PART NO	DESCRIPTION	Qty
1		133-50103	NEEDLE_HEAD_40	1
2		MUY-128S1000	NEEDLE	2
3		SM-8030312-TP	SCREW M3 L=3	3
4		133-56001	THROAT_PLATE	1
5		134-30806	MAIN_FEED_DOG	1
6		134-33107	DIFF_FEED_DOG	1
7		400-22100	PRESSER_FOOT_40_ASSY	1
8		400-22103	PRESSER_FOOT_BOTTOM_40	(1)
9		400-22106	YIELDING_SECTION_ASSY	(1)
10		400-22107	YIELDING_SECTION	(1)
11		133-77205	YIELDING_SECTION_SHANK	(1)
12		133-77304	PIVOT_PIN	(1)
13		400-22108	KNIFE_GUIDE	(1)
14		SM-4030455-SP	SCREW	(1)
15		133-76504	PRESSER_FOOT_SHANK	(1)
16		SM-7040800-SL	SCREW	(1)
17		133-76603	YIELDING_SECTION_SPRING	(1)
18		133-76702	THREAD_SPRING_SCREW	(1)
19		SM-4030455-SP	SCREW	(1)
20		PH-0300162-C0	PARALLEL PIN 3X16	(1)
21		SM-8030500-SP	SCREW	(1)
22		133-76801	SCREW_FOR_PRESSER_FOOT	(1)
23		NM-6030001-SD	NUT M3X0.5	(1)
24		400-22109	YIELDING_SECTIONSPRING	(1)
25		133-77809	GUIDE_SCREW	(1)
26	#01	133-50301	NEEDLE_HEAD_56	1
27		MUY-128S1000	NEEDLE	3
28		SM-8030312-TP	SCREW M3 L=3	4
29	#01	133-56209	THROAT_PLATE	1
30		134-30905	MAIN_FEED_DOG	1
31		134-33206	DIFF_FEED_DOG	1
32		400-22101	PRESSER_FOOT_56_ASSY	1
33		400-22104	PRESSER_FOOT_BOTTOM_56	(1)
34		400-22106	YIELDING_SECTION_ASSY	(1)
35		400-22107	YIELDING_SECTION	(1)
36		133-77205	YIELDING_SECTION_SHANK	(1)
37		133-77304	PIVOT_PIN	(1)
38		400-22108	KNIFE_GUIDE	(1)
39		SM-4030455-SP	SCREW	(1)
40		133-76504	PRESSER_FOOT_SHANK	(1)
41		SM-7040800-SL	SCREW	(1)
42		133-76603	YIELDING_SECTION_SPRING	(1)
43		133-76702	THREAD_SPRING_SCREW	(1)
44		SM-4030455-SP	SCREW	(1)
45		PH-0300162-C0	PARALLEL PIN 3X16	(1)
46		SM-8030500-SP	SCREW	(1)
47		133-76801	SCREW_FOR_PRESSER_FOOT	(1)
48		NM-6030001-SD	NUT M3X0.5	(1)
49		400-22109	YIELDING_SECTIONSPRING	(1)
50		133-77809	GUIDE_SCREW	(1)
51	#02	133-50400	NEEDLE_HEAD_64	1
52	#02	133-56308	THROAT_PLATE	1
		NOTE	#01....FOR MF-7923-E11-B56 #02....FOR MF-7923-E11-B64	

5. TENSION ROLLER COMPONENTS



REF.NO	NOTE	PART NO	DESCRIPTION	Qty
1		700-03687	MF-7900-E11_TENSION_ROLLER_ASSY	1
2		400-31141	FRONT_ROLLER_SUB_ASSEMBLY	(1)
3		400-24938	CLOTH_GUIDE	(1)
4		SM-8050412-TP	SCREW M5 L=4	(2)
5		400-21845	COLLER_LARGE	(1)
6		SM-8050612-TP	SCREW M5X6	(1)
7		SB-1120002-00	BEARING	(2)
8		400-30143	ROLLER_SHAFT	(1)
9		400-30144	FRONT_ROLLER	(1)
10		RC-1200001-KP	C-SHAPED SNAP RING	(1)
11		SM-8050612-TP	SCREW M5X6	(2)
12		400-30284	COLLAR	(1)
13		SM-3061052-TP	SCREW M6 L=10	(1)
14		WP-0621016-SD	WASHER 6.2X13X1	(1)
15		SM-6051002-TP	SCREW M5X0.8 L=10	(2)
16		400-31142	REAR_ROLLER_SUB_ASSEMBLY	(1)
17		SB-1100009-00	BEARING	(2)
18		RC-0100001-KP	SNAP RING M10	(2)
19		400-30148	REAR_ROLLER	(1)
20		400-30147	REAR_SHAFT	(1)
21		NM-6080001-SC	NUT M8X1.25	(1)
22		400-30149	REAR_LEVER	(1)
23		RC-2200002-KP	RETAINING RING	(2)
24		400-30150	REAR_BRACKET	(1)
25		WP-0851846-SC	WASHER 8.5X22.0X1.8	(1)
26		400-31043	CLAMP_LEVER	(1)
27		SK-3483201-SE	WOOD SCREW D=4.8 L=32	(3)
28		400-31143	LOWER_ROLLER_SUB_ASSEMBLY	(1)
29		SB-1100009-00	BEARING	(2)
30		RC-0100001-KP	SNAP RING M10	(2)
31		400-30141	LOWER_ROLLER	(1)
32		400-30142	LOWER_ROLLER_SHAFT	(1)
33		400-30152	ROLLER_PLATE	(1)
34		RC-2200002-KP	RETAINING RING	(2)
35		400-24944	L_PLATE	(1)
36		WP-0851846-SC	WASHER 8.5X22.0X1.8	(1)
37		400-31043	CLAMP_LEVER	(1)
38		SK-3483201-SE	WOOD SCREW D=4.8 L=32	(3)
39		SM-6082002-TP	SCREW M8 L=20	(1)
40		MTJ-MS000100	BOLT M8 L=25	(1)
41		700-03422	FRONT_ROLLER_BRACKET_ASSY	(1)
42		700-03391	TENSION_ROLLER_BRACKET	(1)
43		700-03393	BRACKET	(1)
44		SM-6061002-TP	SCREW M6 L=10	(2)
45		SM-6081802-TP	SCREW	(2)
46		700-03392	TENSION_ROLLER_SHAFT	(1)
47		400-30151	BLOCK	(1)
48		SM-6082502-TP	SCREW M8 L=25	(1)
49		400-31043	CLAMP_LEVER	(1)

JUKI CORPORATION

SEWING MACHINERY BUSINESS UNIT
2-11-1, TSURUMAKI, TAMA-SHI,
TOKYO, 206-8551, JAPAN

PHONE:(81)42-357-2371
FAX:(81)42-357-2380

Copyright© 2013 JUKI CORP.
All rights reserved throughout the world.

Printed in China